



GARRETT VENT | BLOW-OFF VALVES

High-Flowing Blow-Off Valves for Performance Engines
Valve Size: 50mm

Garrett Vent | Blow-Off Valves release excess boost pressure from the charge pipe when the throttle is closed, preventing damage to the turbocharger and other engine components, ensuring smooth operation and prolonging the turbo's lifespan.



Garrett
ADVANCING MOTION

GARRETT VENT | BLOW-OFF VALVES

High-Flowing Blow-Off Valves for Performance Engines

Garrett Vent | Blow-Off Valves are created by the engineers that designed G-Series turbochargers and GVW Wastegates. GVB-50 is a high-flowing BOV with a 50mm valve, available in four striking color combinations. Select between vent to atmosphere (VTA) and recirculating (RCV) housing options. Delivering a maximum flow up to 350 CFM | .21kg/s (RCV) as a result of advanced CFD design software used to simulate, visualize, and quantify airflow before manufacturing started (GVB-50R RCV). The proprietary designed, high-temperature Nomex reinforced elastomer diaphragm ensures unmatched durability and fatigue resistance. A plated stem and bushing lower friction and improve wear resistance.

GVB Blow-Off Valves are set to 10 PSI of base pressure and offer configurable rates from 0.2 Bar | 3 PSI - 0.9 Bar | 13 PSI. Unlike the other products on the market, Garrett includes five springs enabling fine tuning of the pressure setting to optimize BOV performance, and therefore overall turbo system performance. The single vacuum port streamlines functionality. Every kit contains- all fasteners, springs, fittings, V-bands, clamps, and flanges. For pricing and availability please contact an authorized distributor.

Model	Part Number	Base Pressure	Color	Description
GVB-50A	914956-0001	10PSI	Red	Vent to atmosphere
GVB-50A	914956-0002		Blue	Vent to atmosphere
GVB-50A	914956-0003		Black	Vent to atmosphere
GVB-50A	914956-0004		Silver	Vent to atmosphere
GVB-50R	914959-0001		Red	Recirculating housing
GVB-50R	914959-0002		Blue	Recirculating housing
GVB-50R	914959-0003		Black	Recirculating housing
GVB-50R	914959-0004		Silver	Recirculating housing
GVB-50R	913283-0001	Outlet Hose Adapter 1.00" (25.4mm)		
GVB-50R	913283-0002	Outlet Hose Adapter 1.14" (29.0mm)		
GVB-50R	913283-0003	Outlet Hose Adapter 1.34" (34.0mm)		
GVB-50R	913283-0004	Outlet Hose Adapter 1.50" (38.1mm)		

Features:

- CFD tested for maximum flow and thermal efficiency
- Replaceable components to increase service life
- Robust design for easy diaphragm replacement
- 6061 Anodized aluminum actuator cover and fully-machined billet housing
- Maximum flow 350 CFM | .21kg/s for GVB-50R
- Four outlet adapters for the recirculating valve. Adapters sold separately
- Base pressure 0.7 Bar | 10 PSI (blue and white spring installed)
- Configurable springs settings include: 3 | 4 | 6 | 7 | 9 | 10 | 12 | 13 PSI
- Wrought Aluminum Alloy Weld Flange
- 17/7 PH Stainless Steel Springs
- Plated stem and bushing for lowered friction and wear resistance
- High temp nomex reinforced diaphragm
- Stainless steel fittings and fasteners



GVB-50R

GVB-50A



Spring Settings:

GVB-50	Base Pressure								
	PSI 3	4	6	7	9	10	12	13	
	Bar 0.2	0.3	0.4	0.5	0.6	0.7	0.8	0.9	
Red	x			x	x			x	
Blue		x				x			
Green				x				x	
White					x	x	x		
Brown			x				x	x	

GARRETT VENT | BLOW-OFF VALVES

High-Flowing Blow-Off Valves for Performance Engines

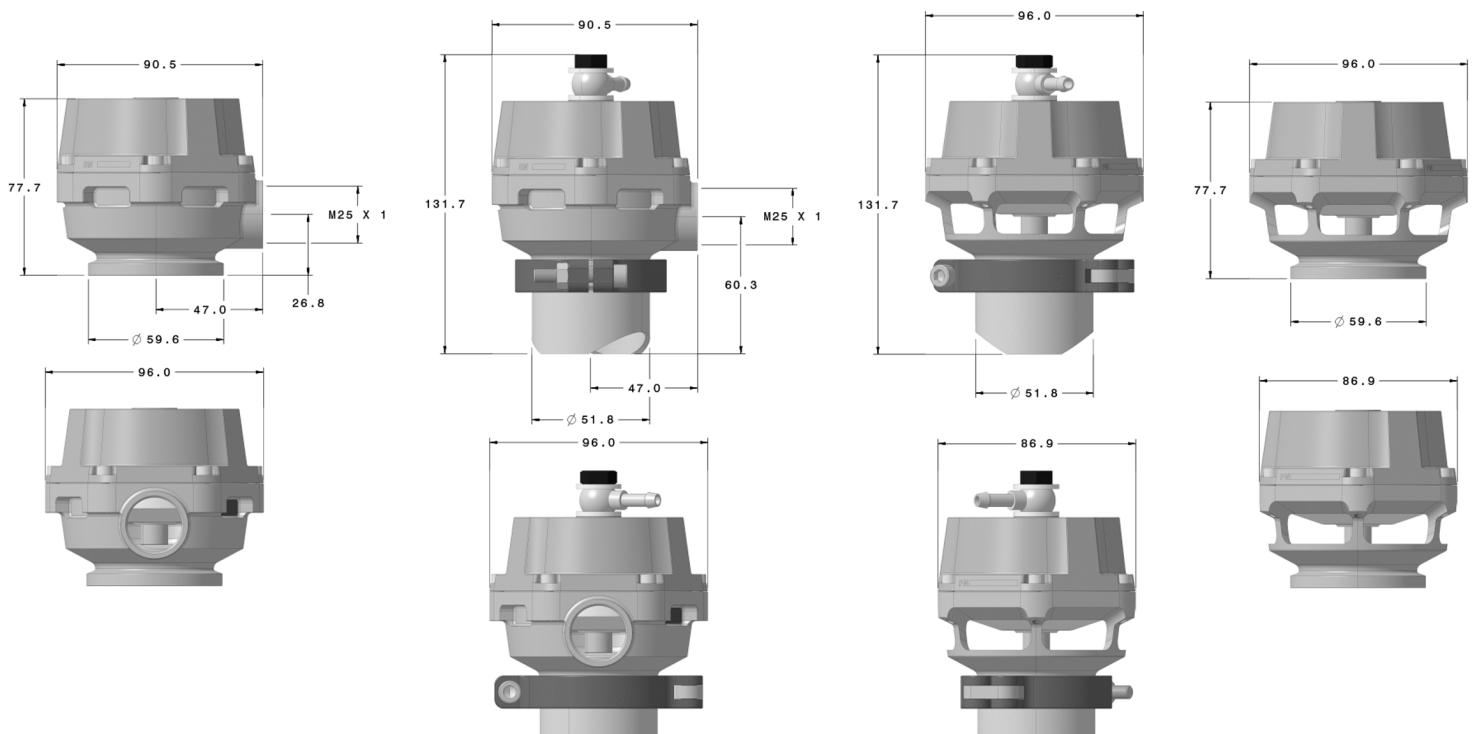


GVB-50R

GVB-50A

Flange Diagrams

• BOV flange dimensions interchangeable with Tial Q and QR



Kit Contents

- GVB-50 Valve Assembly
- Air Fitting Hardware (nuts, bolts, washers, banjo fitting)
- V-Band Assembly (V-Band, bolt, nut)
- O-Ring (Inlet flange)
- Weld Flange
- Springs (Spare: red, green, brown | Installed: blue, white)

